

LIVE

Guy Bonneville
BLAM
DRIVEN BY PASSION

LSP 25

Subwoofer

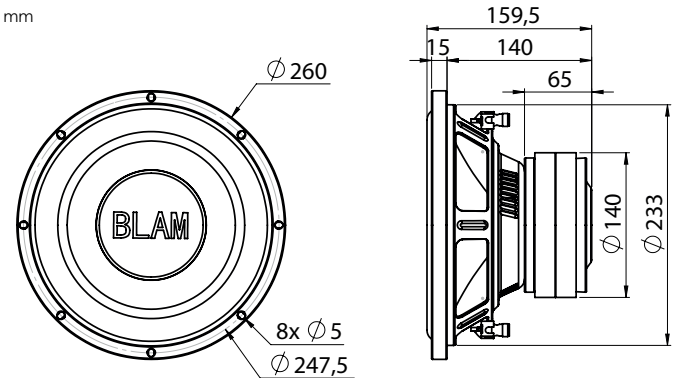
250 mm (10") subwoofer
Dual voice coil

- Max. power 600 W / Nominal Power 300 W
- Frequency response 30 Hz - 500 Hz
- Sensitivity 89.7 dB
- Impedance 4 Ω (2 x 2 Ω)

Steel basket - Injected polypropylene cone - Foam surround - Long life "Conex" damper - 60 mm (2.4") dual voice coil on aluminium former - Dual 140 mm x 20 mm (5.5" x 0.8") motor assembly - Extended T yoke.



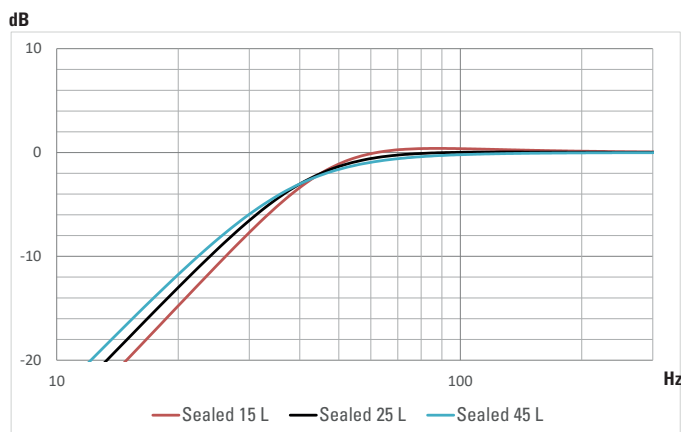
Unit : mm



TECHNICAL SPECIFICATIONS

Component	Subwoofer	
Max power	600 W	
Nominal power	300 W	
Impedance	2 x 2 Ω	
Freq. Response	30 - 500 Hz	
Sensitivity (2,83V/1m)	89.7 dB	
Magnet	Ferrite	
Magnet size Ø x h	2 x 140 x 20 mm	5.512" x 0.787"
Total driver displacement	1.1 l	0.039 cf
Weight of one component	5.8 kg	12.787 lb
Voice coil Ø	60 mm	2.362"
Voice coil height	32.6 mm	1.283"
Cone	Textured PP	

FREQUENCY RESPONSE / IMPEDANCE



THIELE-SMALL PARAMETERS

effective Ø (d)	205 mm
Sd	330.06 cm ²
Xmax	11 mm
Re	1.2 Ω
Fs	32.36 Hz
Le	287.20 µH @ 1 kHz
L2	1051.97 µH @10 kHz
Vas	17.57 L
Mms	210.66 g
Cms	0.000114 m/N
BL	9.33 Tm
Qts	0.57
Qes	0.62
Qms	7.4
Sensitivity (dB/W/m)	81.7 dB

RECOMMENDED ENCLOSURES

Internal volume Vb	F-3dB	Boost
15 L	42 Hz	0.4 dB at 88Hz
25 L	41 Hz	no boost
45 L	41 Hz	no boost

contact@blam-audio.fr
www.facebook.com/blamaudio

www.blam-audio.com