

# LIVE

## LFR 80

### Speaker

- Full-range driver 3" (80 mm)
- Max. power 100 W / Nom. power 25 W
- Frequency response 150 Hz – 37 kHz
- Impedance 3 Ω

Die cast aluminium basket - Epoxy resin and glass fiber cone - Butyl surround - Long life "Conex" damper - 20 mm (0.8") voice coil with TIL former - 50 mm x 10 mm (1.9" x 0.4") neodymium magnet

Optimized for sealed enclosure volume from 0.3 L to 0.5 L

Minimal required cut off frequency : 250 Hz 12 dB/octave

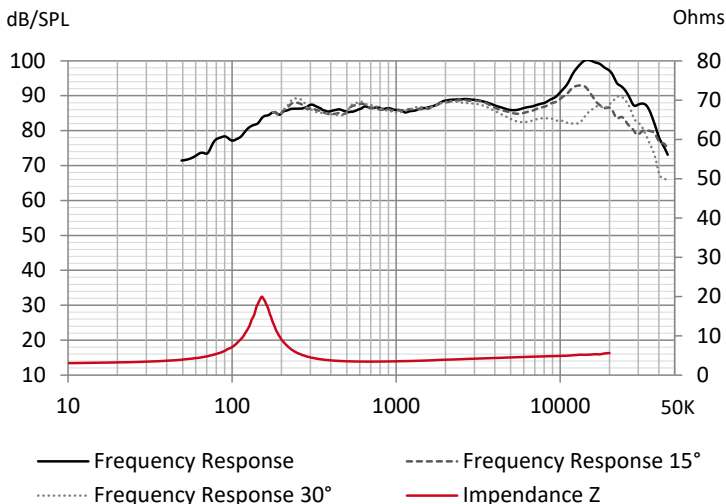
Guy Bonneville  
**BLAM**  
DRIVEN BY PASSION



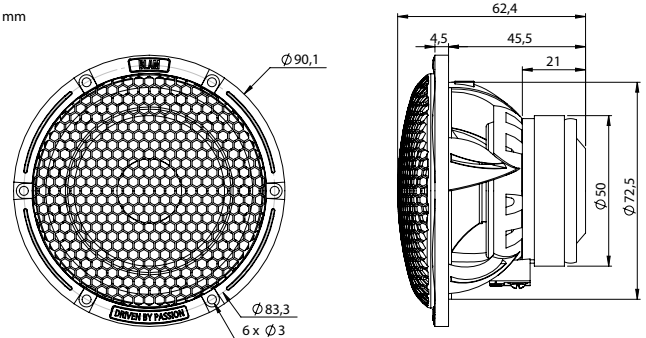
### TECHNICAL SPECIFICATIONS

<b>Component</b>	Midrange	
<b>Max power</b>	100 W	
<b>Nominal power</b>	25 W	
<b>Impedance</b>	3 Ω	
<b>Freq. Response</b>	150 Hz - 37 KHz	
<b>Sensitivity (2,83V/1m)</b>	91 dB	
<b>Magnet</b>	Neodymium	
<b>Magnet size Ø x h</b>	50 x 10 mm	1.969" x 0.394 "
<b>Total driver displacement</b>	0.0574 l	0.002 cf
<b>Weight of one component</b>	0.444 kg	0.979 lb
<b>Voice coil Ø</b>	20 mm	0.803"
<b>Voice coil height</b>	5.9 mm	0.232"
<b>Cone</b>	Glassfiber	

### FREQUENCY RESPONSE / IMPEDANCE



Unit : mm



### THIELE-SMALL PARAMETERS

<b>effective Ø (d)</b>	61 mm
<b>Sd</b>	29.22 cm <sup>2</sup>
<b>Xmax</b>	1 mm
<b>Re</b>	3 Ω
<b>Fs</b>	151.75 Hz
<b>Le</b>	16.69 µH @1 kHz
<b>L2</b>	117.18 µH @10 kHz
<b>Vas</b>	0.53 L
<b>Mms</b>	2.49 g
<b>Cms</b>	0.000441 m/N
<b>BL</b>	3.42 Tm
<b>Qts</b>	0.52
<b>Qes</b>	0.61
<b>Qms</b>	3.47
<b>Sensitivity (dB/W/m)</b>	86.7 dB

### RECOMMENDED ENCLOSURES

<b>Internal volume Vb</b>	<b>F-3dB</b>	<b>Boost</b>
0.3 L	215 Hz	-
0.5 L	208 Hz	-

contact@blam-audio.fr  
www.facebook.com/blamaudio  
www.blam-audio.com