

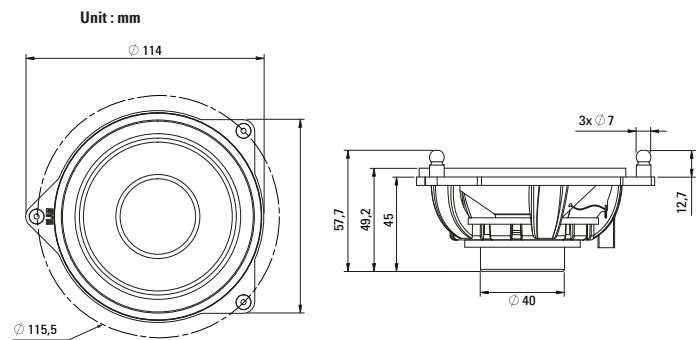
# 100 MN S

## Mercedes & Tesla speaker

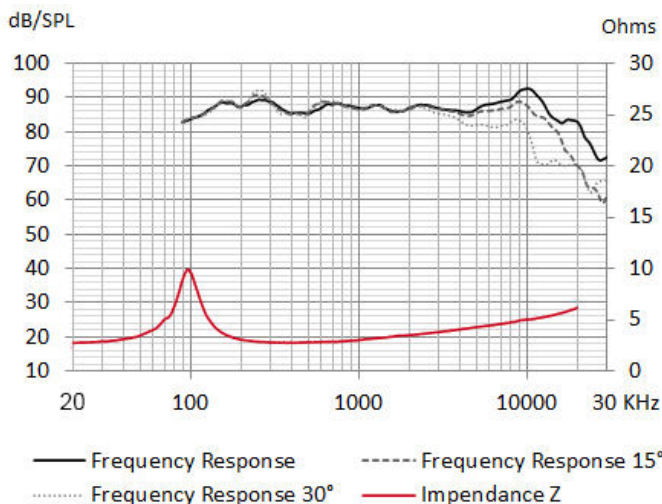
- 100 mm (4") speaker
- Max. power 80 W / Nominal Power 40 W
- Frequency response 90 Hz - 15 kHz
- Impedance 2 Ω

### TECHNICAL SPECIFICATIONS

<b>Component</b>	Speaker	
<b>Max power</b>	80 W	
<b>Nominal power</b>	40 W	
<b>Impedance</b>	2 Ω	
<b>Freq. Response</b>	90 Hz - 15 kHz	
<b>Sensitivity (2,83V/1m)</b>	92.7 dB	
<b>Magnet</b>	Neodymium	
<b>Motor size Ø x h</b>	40 x 4 mm	1.575" x 0.157"
<b>Total driver displacement</b>	0.06 l	0.002 cf
<b>Weight of one component</b>	0.211 kg	0.465 lb
<b>Voice coil Ø</b>	25 mm	0.984"
<b>Voice coil height</b>	8.4 mm	0.331"
<b>Cone</b>	Fiber glass	



### FREQUENCY RESPONSE / IMPEDANCE



### THIELE-SMALL PARAMETERS

<b>effective Ø (d)</b>	85 mm
<b>Sd</b>	56.75 cm <sup>2</sup>
<b>Xmax</b>	3.45 mm
<b>Re</b>	2.0 Ω
<b>Fs</b>	88.87 Hz
<b>Le</b>	26.58 µH @ 1 kHz
<b>L2</b>	103.83 µH @10 kHz
<b>Vas</b>	2.33 L
<b>Mms</b>	6.23 g
<b>Cms</b>	0.000515 m/N
<b>BL</b>	2.81 Tm
<b>Qts</b>	0.72
<b>Qes</b>	0.92
<b>Qms</b>	3.26