

LIVE

Guy Bonneville

BLAM

DRIVEN BY PASSION

165 LSQ

Woofer

- Woofer 6-1/2" (165 mm)
- Max power 120 W / Nom. power 60 W
- Frequency response 75 Hz - 9 KHz
- Impedance 2 Ohms

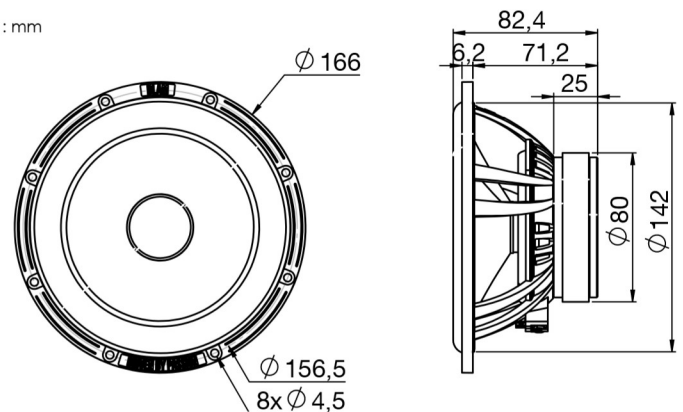
Machined cast aluminium basket - Cellulose pulp cone reinforced with bamboo fiber cone - Butyl rubber surround - Long life "Conex" damper - 28 mm (1.1") voice coil with kapton former - 80 mm x 15 mm (3.1" x 0.6") motor assembly - Thick magnetic circuit (5 mm).



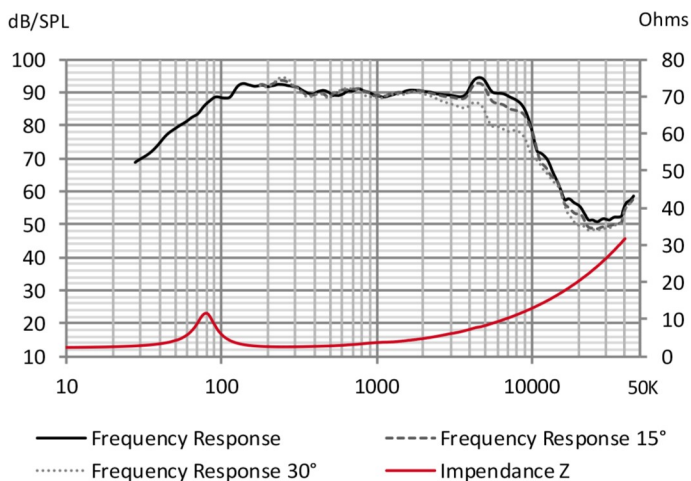
TECHNICAL SPECIFICATIONS

Component	Woofer	
Max power	120 W	
Nominal power	60 W	
Impedance	2 Ω	
Freq. Response	74 Hz - 9 KHz	
Sensitivity (2,83V/1m)	93.3 dB	
Magnet	Ferrite	
Magnet size Ø x h	80 x 15 mm	3.15" x 0.591"
Total driver displacement	0.3 l	0.011 cf
Weight of one component	0.922 kg	2.033 lb
Voice coil Ø	28 mm	1.102"
Voice coil height	11 mm	0.433"
Cone	Paper & Bamboo	

Unit : mm



FREQUENCY RESPONSE / IMPEDANCE



THIELE-SMALL PARAMETERS

effective Ø (d)	130 mm
Sd	132.73 cm ²
Xmax	3 mm
Re	2.3 Ω
Fs	79.06 Hz
Le	99.64 μH @ 1 kHz
Le	233.56 μH @10 kHz
Vas	7.37 L
Mms	13.6 g
Cms	0.000298 m/N
BL	4.13 Tm
Qts	0.73
Qes	0.91
Qms	3.71
Sensitivity (dB/W/m)	87.9 dB

contact@blam-audio.fr

www.facebook.com/blamaudio

www.blam-audio.com